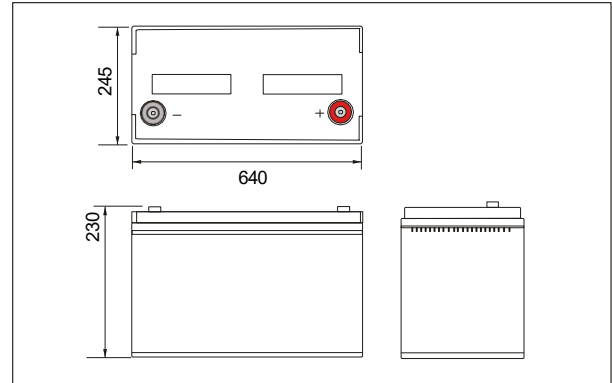


Lithium Iron Phosphate (LiFePO4) Battery Specification

SLAUMXLI280-24PRI (25.6V280AH)



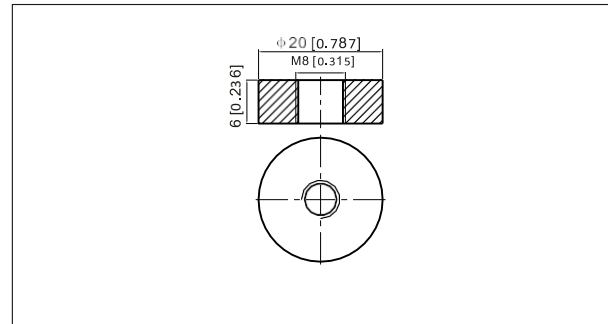
Outer dimensions (mm)



Specifications

Cell type	Prismatic	
Nominal voltage	25.6V	
Rated capacity (20 hour rate)	280Ah	
Dimensions	Total Height (mm)	230
	Height (mm)	220
	Length (mm)	640
	Width (mm)	245
Weight Approx (Kg)	52	
Terminal type	M8	

Terminal Type (mm)



Characteristics

Charge Discharge Properties	Efficiency of Charge	100% at 0.5C
	Efficiency of Discharge	97% at 1C
	Cycle Life	>80% retention at 2000 cycles
Charge Discharge Properties	2 hour discharge to 21V	140A
	Internal Resistance	<20 mΩ
Charge Charecteristics	Charge Voltage	29.2±0.1V
	Charger Current	100A
	Charge Cut-off Voltage	29.2±0.1V
Discharge Charecteristics	Normal Current	100A
	Max Continuous Current	200A
	Maximum Pulse Current	400A(<3s)
	Discharge Cut-off Voltage	21V
Tempreture	Charge Tempreture	0°C-45°C(32°F-113°F)
	Discharge Tempreture	-20°C-60°C(-4°F-140°F)
	Storage Tempreture	0°C-40°C(32°F-104°F)
	Months Self Discharge	<3%