

Lithium Iron Phosphate (LiFePO4) Battery Specification

SLAUMXLI280-12PRIBLU (12.8V280AH)

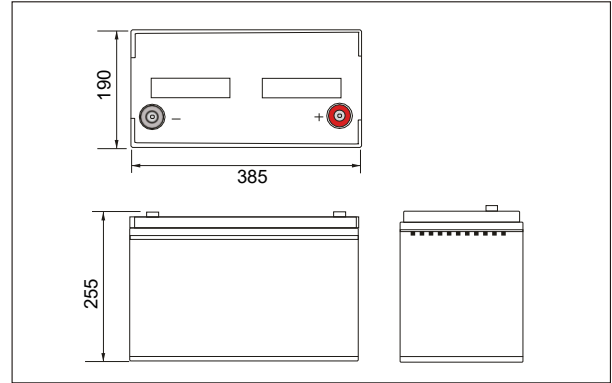
Specifications

Cell type	Prismatic	
Nominal voltage	12.8V	
Rated capacity (20 hour rate)	280Ah	
Dimensions	Total Height (mm)	255
	Height (mm)	245
	Length (mm)	385
	Width (mm)	190
Weight Approx (Kg)	25	
Terminal type	M8	

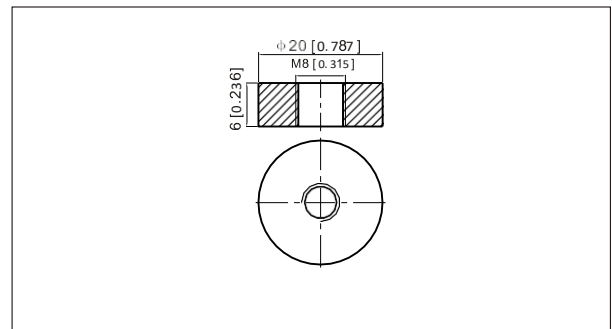
Characteristics

Charge Discharge Properties	Efficiency of Charge	100% at 0.5C
	Efficiency of Discharge	97% at 1C
	Cycle Life	>80% retention at 2000 cycles
Charge Charecteristics	2 hour discharge to 10.5V	140A
	Internal Resistance	<20 mΩ
Charge Charecteristics	Charge Voltage	14.6±0.1V
	Charger Current	100A
Discharge Charecteristics	Charge Cut-off Voltage	14.6±0.1V
	Normal Current	100A
Discharge Charecteristics	Max Continuous Current	200A
	Maximum Pulse Current	400A(<3s)
	Discharge Cut-off Voltage	10.5V
	Discharge Cut-off Voltage	10.5V
Tempreture	Charge Tempreture	0°C-45°C(32°F-113°F)
	Discharge Tempreture	-20°C-60°C(-4°F-140°F)
	Storage Tempreture	0°C-40°C(32°F-104°F)
	Months Self Discharge	<3%

Outer dimensions (mm)



Terminal Type (mm)



Bluetooth APP description

For Apple mobile phones, search and download "UMXLI Battery" For Android mobile phones, search and download "UMXLI BMS"

Interface of APP:

