

Lithium Iron Phosphate (LiFePO4) Battery Specification

SLAUMXLI18-12USB(12.8V18AH)



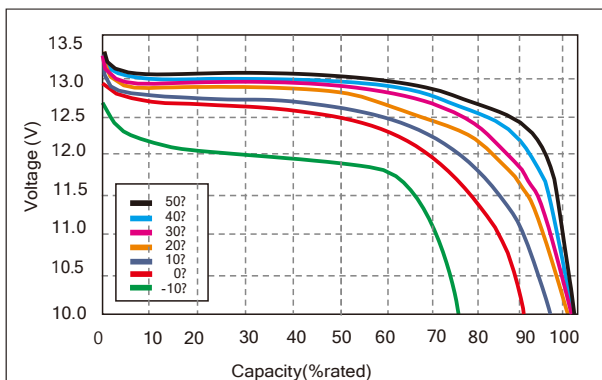
Specifications

Nominal Voltage		12.8V
Rated capacity (20 hour rate)		18Ah
Dimensions	Total Height	75 mm (2.95inches)
	Height	75 mm (2.95inches)
	Length	168 mm (6.61inches)
	Width	128 mm(5.04inches)
Weight Approx		2.20Kg (4.86lbs)
Terminal		TBar

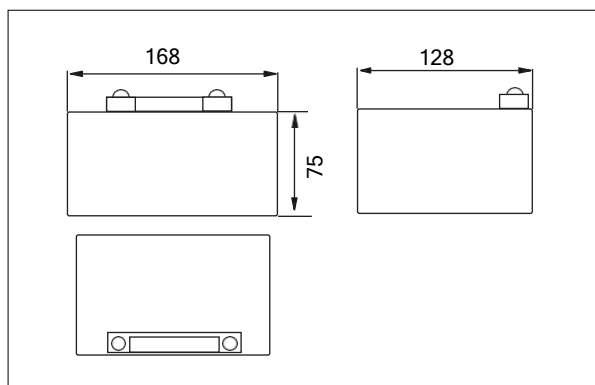
Characteristics

Capacity Retention	>80% at 28 days	
Cycle Life	>80% at 1500 Cycles	
1.5 hour discharge to 10.5V	7.2 A	
Internal Resistance	<60 mΩ	
Charge Characteristics	Charge Voltage	14.4±0.1V
	Charger Current	5A
	Charge Cut-Off Voltage	14.6±0.1V
Discharge Characteristics	Continuous Current	25A
	Max. Pulse Current	35A (<3s)
	Discharge Cut-off Voltage	10V
Temperature	Charge Temperature	0°C-45°C(32°F-113°F)
	Discharge Temperature	-20°C-60°C(-4°F-140°F)
	Storage Temperature	0°C-40°C(32°F-104°F)

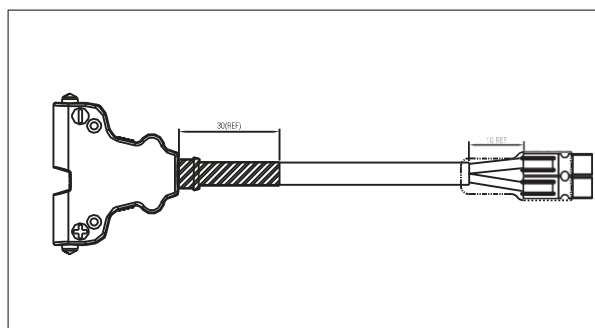
Temperature Discharge



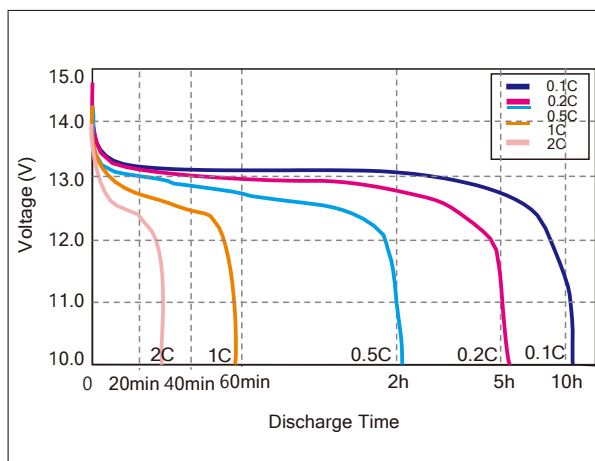
Outer dimensions (mm)



Terminal Type (mm)



Discharge Curves 25°C(77°F)



Charging Characteristics

