

Lithium Iron Phosphate (LiFePO4) Battery Specification

SLAUMXLI36-24(25.6V36AH)



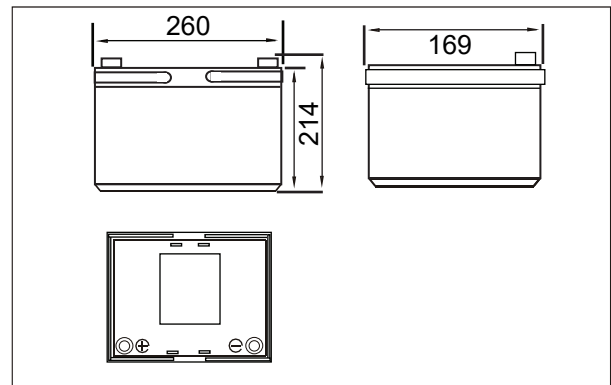
Specifications

Nominal Voltage	25.6V	
Rated capacity (20 hour rate)	36Ah	
Dimensions	Total Height	214mm(8.43inches)
	Height	214mm(8.43inches)
	Length	260mm(10.2inches)
	Width	169mm(6.65inches)
Weight Approx	9.00Kg (19.8lbs)	
Terminal	M8	

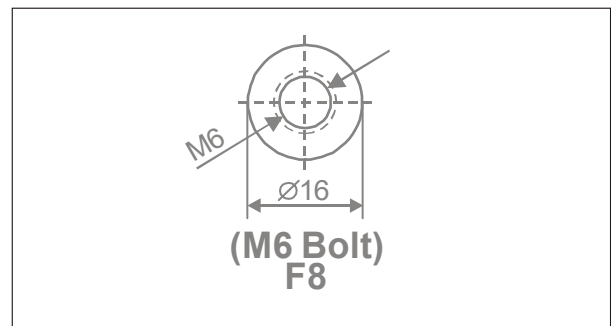
Characteristics

Capacity Retention	>80% at 28 days	
Cycle Life	>80% at 2000 Cycles	
1.5 hour discharge to 10.5V	9.0 A	
Internal Resistance	<80 mΩ	
Charge Characteristics	Charge Voltage	28.8±0.1V
	Charger Current	<40A
Discharge Characteristics	Continuous Current	50A
	Max. Pulse Current	150A(<5ms)
	Discharge Cut-off Voltage	16V
Temperature	Charge Temperature	0°C-45°C(32°F-113°F)
	Discharge Temperature	-20°C-60°C(-4°F-140°F)
	Storage Temperature	0°C-40°C(32°F-104°F)

Outer dimensions (mm)



Terminal Type (mm)



Discharge Curves 25°C(77 °F)

