

ULTRAMAX

Lithium Iron Phosphate (LiFePO4) Battery Specification

SLAUMXLI314-24PRI(25.6V314AH)



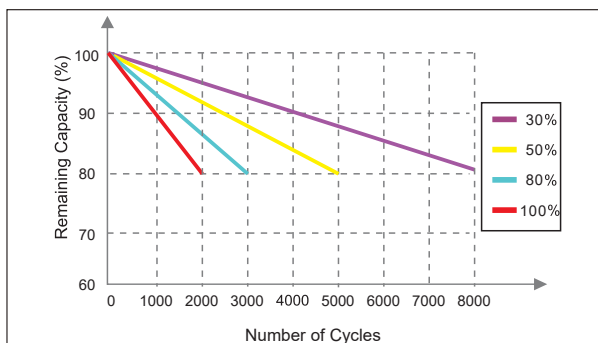
Specifications

Nominal Voltage		12.8V
Rated capacity (20 hour rate)		314Ah at 0.2C
Dimensions	Total Height	230 mm
	Height	220 mm
	Length	640 mm
	Width	245 mm
Weight Approx		52Kg
Terminal		M8

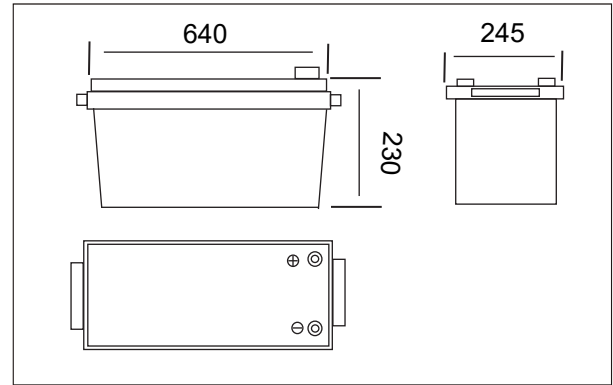
Characteristics

Charge Discharge Properties	Efficiency of Charge	100% at 0.5C
	Efficiency of Discharge	97% at 1C
	Cycle Life	>80% retention at 2000 cycles
Charge Discharge Properties	2 hour discharge to 21V	160A
	Internal Resistance	<20 mΩ
Charge Characteristics	Charge Voltage	29.2±0.1V
	Max Charger Current	200A
	Charge Cut-off Voltage	29.2±0.1V
Discharge Characteristics	Normal Current	100A
	Max Continuous Current	200A
	Maximum Pulse Current	400A(<3s)
	Discharge Cut-off Voltage	21V
Temperature	Charge Temperature	0°C-45°C(32°F-113°F)
	Discharge Temperature	-20°C-60°C(-4°F-140°F)
	Storage Temperature	0°C-40°C(32°F-104°F)
	Months Self Discharge	<3%

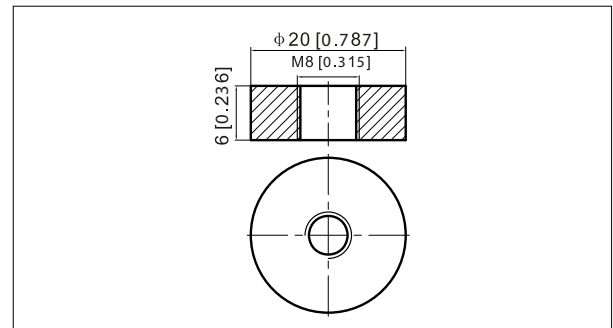
Cycle Lives Curves



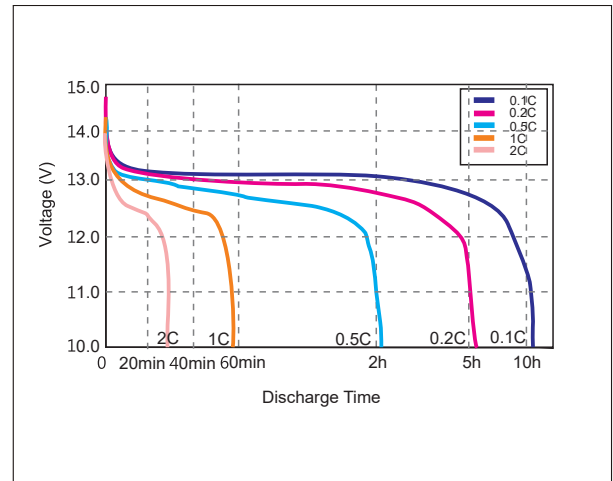
Outer dimensions (mm)



Terminal Type (mm)



Discharge Curves 25°C(77°F)



Temperature Discharge Curve @0.5C

