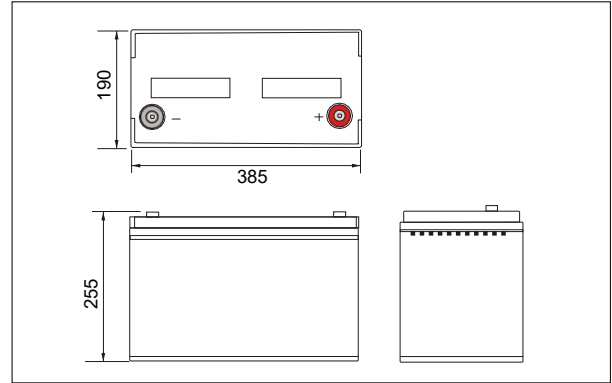


## Lithium Iron Phosphate (LiFePO4) Battery Specification

### SLAUMXLI280-12PRIBLU (12.8V280AH)



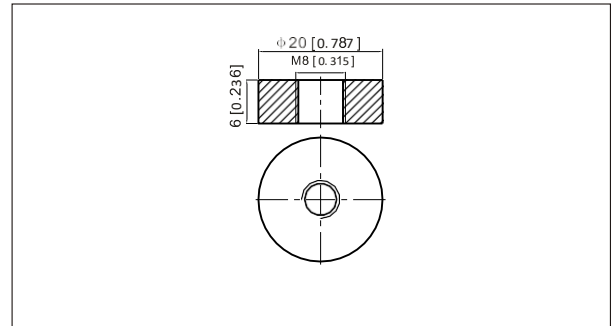
### Outer dimensions (mm)



### Specifications

Cell type	Prismatic	
Nominal voltage	12.8V	
Rated capacity (20 hour rate)	280Ah	
Dimensions	Total Height (mm)	255
	Height (mm)	245
	Length (mm)	385
	Width (mm)	190
Weight Approx (Kg)	25	
Terminal type	M8	

### Terminal Type (mm)



### Characteristics

Charge Discharge Properties	Efficiency of Charge	100% at 0.5C
	Efficiency of Discharge	97% at 1C
	Cycle Life	>80% retention at 2000 cycles
Charge Characteristics	2 hour discharge to 10.5V	140A
	Internal Resistance	<20 mΩ
Discharge Characteristics	Charge Voltage	14.6±0.1V
	Charger Current	100A
	Charge Cut-off Voltage	14.6±0.1V
Temperature	Normal Current	100A
	Max Continuous Current	200A
	Maximum Pulse Current	400A(<3s)
	Discharge Cut-off Voltage	10.5V
Temperature	Charge Temperature	0°C-45°C(32°F-113°F)
	Discharge Temperature	-20°C-60°C(-4°F-140°F)
	Storage Temperature	0°C-40°C(32°F-104°F)
	Months Self Discharge	<3%

### Bluetooth APP description

For Apple mobile phones, search and download "UMXLI Battery" For Android mobile phones, search and download "UMXLI BMS"

#### Interface of APP:

