

Lithium Iron Phosphate (LiFePO4) Battery Specification

SLAUMXLI126-12 (12.8V126AH)



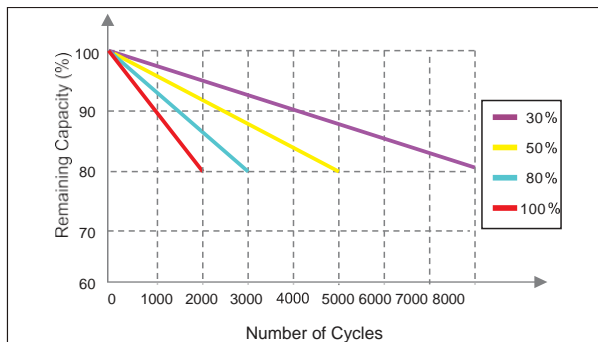
Specifications

| | | |
|-------------------------------|--------------|---------|
| Nominal Voltage | | 12.8V |
| Rated capacity (20 hour rate) | | 126Ah |
| Dimensions | Total Height | 211 mm |
| | Height | 211 mm |
| | Length | 325 mm |
| | Width | 165 mm |
| Weight Approx | | 14.7 Kg |

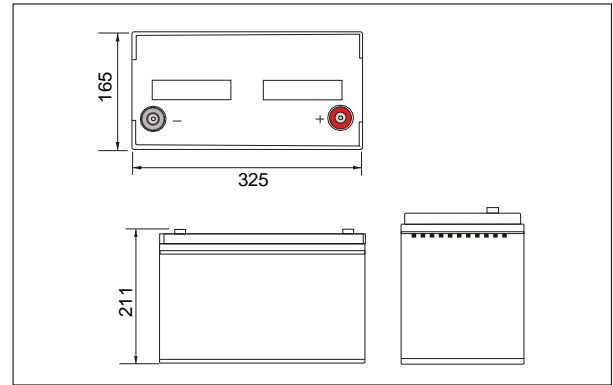
Characteristics

| | | |
|-----------------------------|---------------------------|-------------------------------|
| Charge Discharge Properties | Efficiency of Charge | 100% at 0.5C |
| | Efficiency of Discharge | 97% at 1C |
| | Cycle Life | >80% retention at 2000 cycles |
| 1.5 hour discharge to 10.5V | | 40.0 A |
| Charge Characteristics | Charge Voltage | 14.6±0.1V |
| | Charger Current | 60A |
| | Charge Cut-off Voltage | 14.6±0.1V |
| Discharge Characteristics | Normal Current | 50A |
| | Max Continuous Current | 126A |
| | Maximum Pulse Current | 150A(<3s) |
| | Discharge Cut-off Voltage | 10V |
| Temperature | Charge Temperature | 0°C-45°C(32°F-113°F) |
| | Discharge Temperature | -20°C-60°C(-4°F-140°F) |
| | Storage Temperature | 0°C-40°C(32°F-104°F) |
| | Months Self Discharge | <3% |

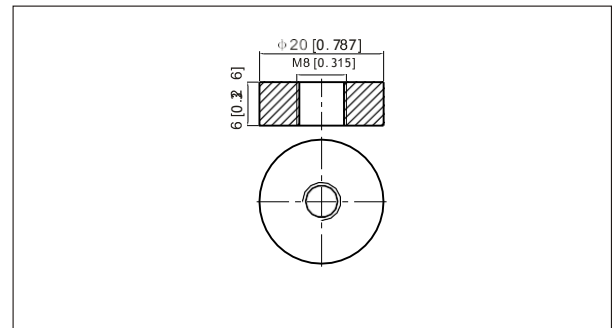
Cycle Lives Curves



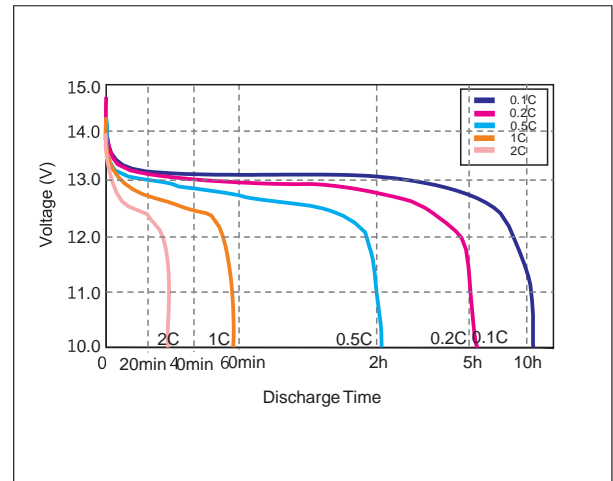
Outer dimensions (mm)



Terminal Type (mm)



Discharge Curves 25°C (77°F)



Temperature Discharge Curve @0.5C

