

## Bluetooth Lithium Iron Phosphate (LiFePO4) Battery Specification

**SLAUMXLI100-12BLU (12.8V100AH)**



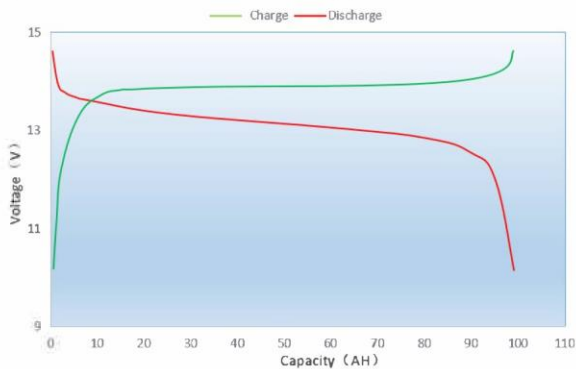
### Specifications

Nominal Voltage	12.8V	
Rated capacity (20hour rate)	102Ah	
Dimensions	Total Height	211 mm
	Height	211 mm
	Length	325mm
	Width	165 mm
Weight Approx	13 Kg	

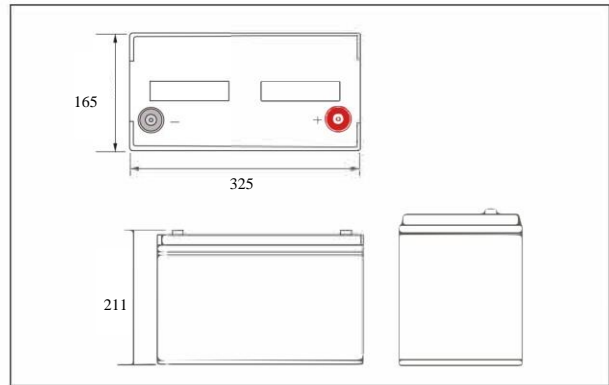
### Characteristics

Charge Discharge Properties	Efficiency of Charge	100% at 0.5C
	Efficiency of Discharge	97% at 1C
	Cycle Life	>80% retention at 2000 cycles
Charge Characteristics	Over current protection	400±20A 10ms-300ms
	Internal Resistance	<10 mΩ
	Charge Voltage	14.6±0.1V
Discharge Characteristics	Charge Current	≤100A
	Charge Cut-off Voltage	14.6±0.1V
	Max Continuous Current	100A
Temperature	Peak Discharge Current	300A(<3s)
	Discharge Cut-off Voltage	10V
	Charge Temperature	0°C-45°C(32°F-113°F)
Humidity	Discharge Temperature	-20°C-60°C(-4°F-140°F)
	Storage Temperature	0°C-40°C(32°F-104°F)
Shell material	5%≤RH≤85%	ABS plastic

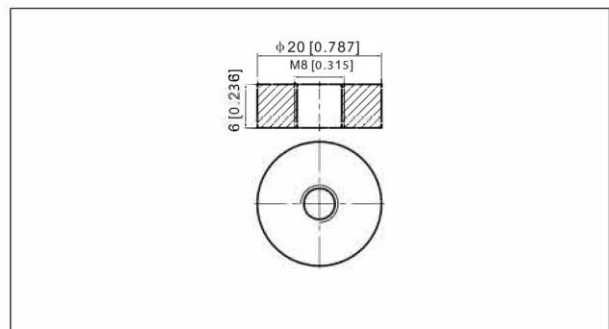
### Characteristics Curves



### Outer dimensions (mm)



### Terminal Type (mm)



### Bluetooth APP discription

For Apple mobile phone, search and download "UMXLI Battery"  
For Android mobile phone, search and download "UMXLI BMS"

### Interface of APP:

