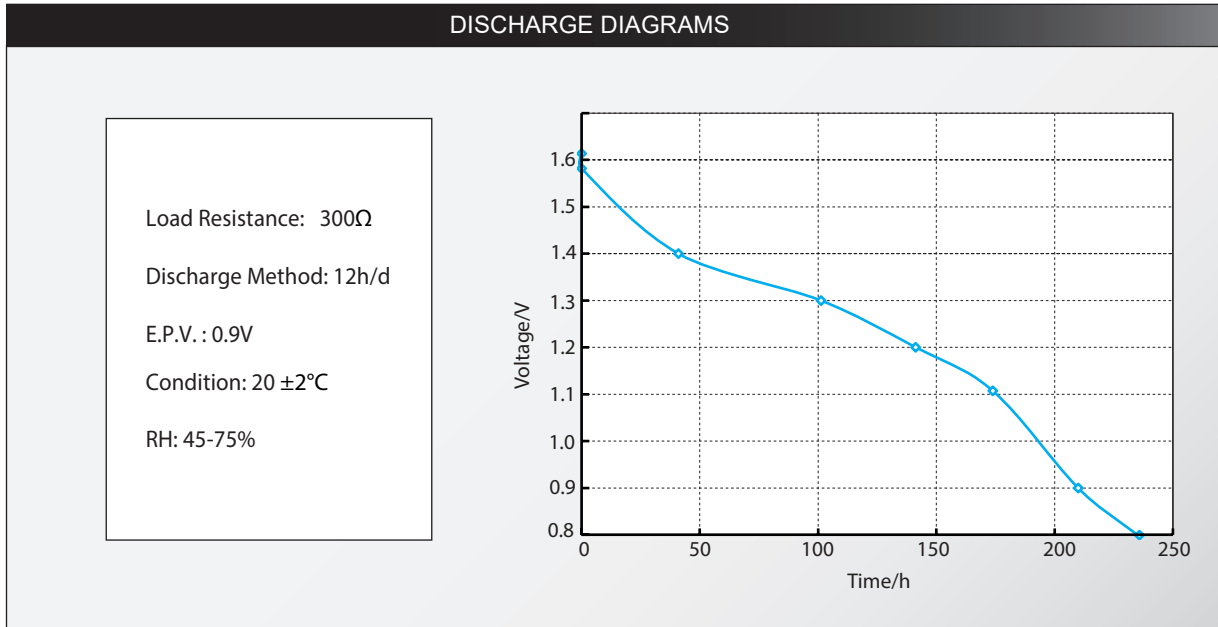
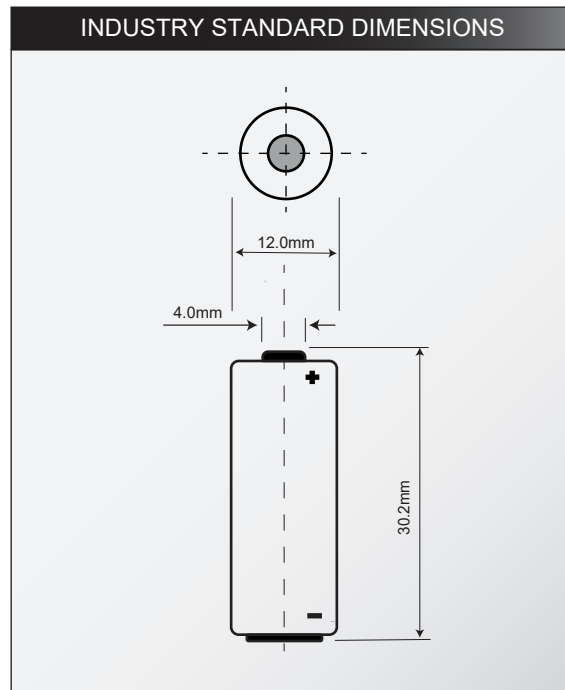


ULTRA MAX ALKALINE STANDARD (LR1)

N



SPECIFICATION	
DESIGNATION	LR1/N
NOMINAL VOLTAGE	1.5V
TYPICAL CAPACITY	800mAh
TYPICAL WEIGHT	9.2g
TYPICAL VOLUME	3.4cm ³
TERMINALS	Flat Contact
CHEMICAL SYSTEM	Alkaline Zinc-Manganese dioxide
STORAGE TEMPERATURE RANGE	<30°C
OPERATING TEMPERATURE RANGE	-18°C~50°C



Important Notice

Delivered capacity is dependent on the applied load, operating temperature and cut-off voltage. Please refer to the charts and discharge data shown.